

# LobbyVu™ Installation Guide

## Introduction

LobbyVu is a device that is installed beside a screen to display the SolarVu monitoring portal. It eliminates the need to have a full-size PC or a laptop connected, and thanks to its small form factor, LobbyVu can easily be mounted on a wall or tucked behind a TV. LobbyVu is connected to a TV using an HDMI cable and it requires an internet access. See below for an overview of how LobbyVu works.

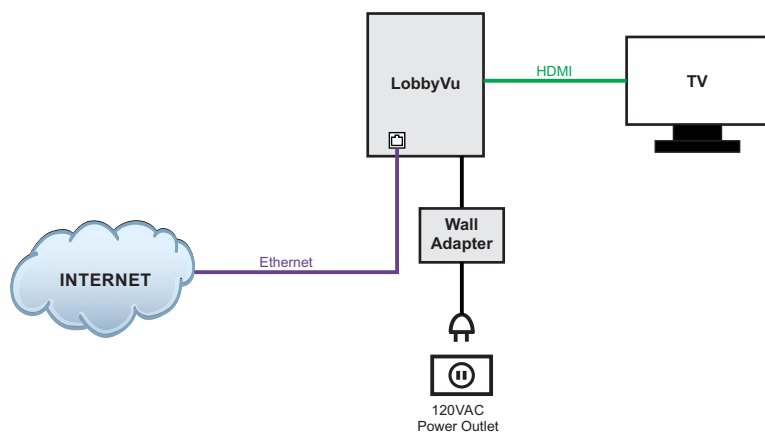


Fig 1 LobbyVu™ System Overview



Fig 2 LobbyVu™ Product Image

## Getting Started

Before starting, confirm if you received the following:

- LobbyVu
- Micro USB Power Supply
- HDMI Cable
- Ethernet Cable
- User Manual
- Mounting Accessories

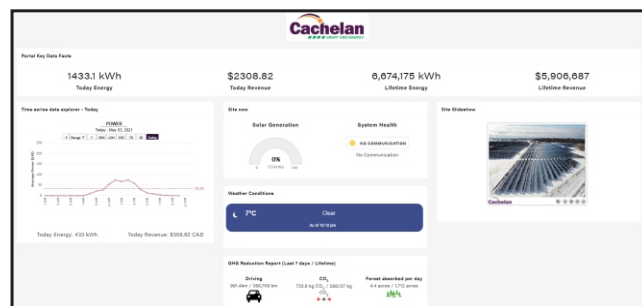


Fig 3 LobbyVu™ Screen Example

## Mounting

LobbyVu can be installed two ways:

### Option 1 Wall Mount

Use the included hardwares to secure LobbyVu on the wall. Be Sure to check the cable length before drilling holes.

### Option 2 Cable Tie

Locate two holes near the bottom left of LobbyVu. Thread the two holes using the included cable ties. Hang LobbyVu off the HDMI cable.

### Connect all the necessary cables

- Ethernet Cable
- HDMI Cable
- Power Cable (Note, LobbyVu will automatically turn on upon plugging the power cable. You can turn LobbyVu on and off with the power switch without needing to unplug the power cable)

After connecting the cables, turn your TV on and check if the right input source is selected.

You should see the SolarVu monitoring page on your display. (similar to Fig 3)



Fig 4 LobbyVu™ Installation Example (Wall Mount)

## Getting Started (Cont.)

### How to turn on and off LobbyVu

To turn off LobbyVu, push and hold the power button for 3 seconds.

To turn on LobbyVu, short press the power button.



Fig 5 LobbyVu™ Installation Example (Cable Tie)

## FAQ

### Q: My screen is blank.

A: Check your LobbyVu is on (power indicator in the bottom right corner). Check the TV is on and check if the right input source is selected.

### Q: My LobbyVu has lost internet connection and won't display the SolarVu portal.

A: Check the internet status by connecting a laptop to the same network LobbyVu is in. Try turning LobbyVu off and on by holding down the power button for 3 seconds and push it again to turn it back on.

### Q: I want to zoom in or out my page.

A: Plug in a keyboard in the USB port. Hold Ctrl and press + to zoom in, press - to zoom out

### Q: I have black bars around my screen OR my screen is cut off near the corner.

A: Please call the tech support line at 905-470-8400 ext.224 or email: [techsupport@cachelan.com](mailto:techsupport@cachelan.com)

## LobbyVu™ Technical Specifications

Power Supply Requirement: 5Vdc 2.5A

Power Consumption: 5W

Product Dimensions: 10cm x 6cm x 3cm

## Requirements

TV or monitor with HDMI port

Internet Connection (Hard-wired)

## Warning

Use ONLY the power supply provided from Cachelan. Do NOT use a generic Micro USB power supply as doing so may cause damage or fire.

**Cachelan Technical Support**  
**techsupport@cachelan.com**  
**905.470.8400 x224**